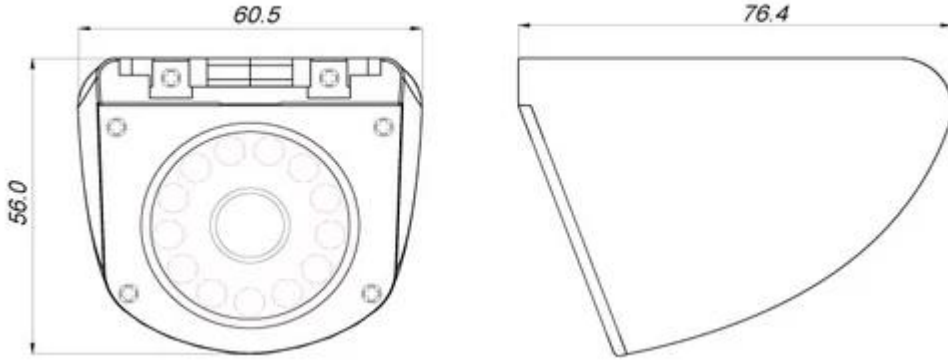


Otomobil Yan Görünüş Kamerası'ler Karakter:

- 1.Metal kutular, sabit mercekli mobil yan görünüm.
- 2.Gümüş kaplamalı olarak mevcuttur.
- 3.Düşük güç tüketimi
- 4.Tavan veya duvar, yüzeye veya gömme montaja kolay kurulum.
- 5.IP67 su geçirmez

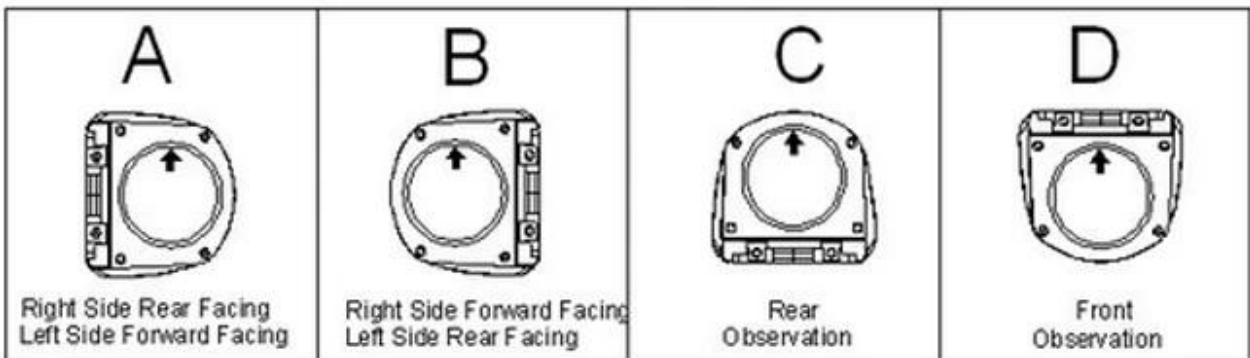


Otomobil Yan Görünüş Kamerası'ler Parametre:

madde	Parametre
algılayıcı	1/3 Renkli Sony CCD
TV Sistemi	PAL / NTSC
çözüm	Isteğe bağlı olarak 420TVL / 480TVL / 600TL
Duyarlılık	F1.2'de 0 Lux (Kızılötesi LED açık)
Tarama Sistemi	625TVL, 2: 1 İnterlace
Senkronizasyon	İç

Kızılötesi Spektrum	850 nm
S / N Oranı	Daha fazla 50 dB, (AGC kapalı)
Otomatik Kazanç Kontrolü (AGC)	Oto
Beyaz dengesi	Oto
Elektronik Deklanşör	Oto
Arka ışık telafisi	Oto
Kızılötesi LED	12 LED'ler
IR LED Aralığı	10 Metre
Video çıkışı	1 Vp-p, 75Ω komposit, BNC x1
Ses çıkışı	Seçenek İçin
Ayna İşlevi	Seçenekler için
Gama Oranı	0.45
Lens	f3.6mm Standart Lens, 2.8mm / 6mm Seçenekler İçin
Dış Odaklama Ayarı	N / A
Objektif Montaj	M12XP0.5mm Konu
Pan Ayarlama	0-360 °
Güç kaynağı	12V DC ±% 10
Güç tüketimi	210mA
Boyut(LXWXH)	76,4 x 60,5 x 56 mm
Net ağırlık	215g
Su geçirmez	IP67
Sıcaklık	-10 ° C ila +50 ° C arası

Camera Module Orientation Matches Letter Orientation Illustrated:



Otomobil Yan Görünüş Kamerası's Sertifikası:

VERIFICATION OF CONFORMITY

Verification of Conformity
Reference No.: L12128428217

Responsible Party : Shenchen Rotensor Technology Development Co., LTD.
Address : 2F No.68 West Longquan Road, Longhua New District, Shenzhen, China
Product : Camera
Model No. : RCM-IP200, RCM-IP200L, RCM-IP200H, RCM-IP200S, RCM-IP200T, RCM-IP200E, RCM-200, RCM-400, RCM-600, RCM-800, RCM-1000, RCM-1200, RCM-1500, RCM-2000, RCM-3000, RCM-4000, RCM-5000, RCM-6000, RCM-7000, RCM-8000, RCM-9000, RCM-10000

Trade Mark : Rotensor
Standard : FCC CFR 47 PART 15 Subpart B, 2011, 4805-103.4-0008

Report Note
This device is in compliance with Part 15 of the FCC Rules and Regulations for radio frequency devices. Operation of this product is subject to the following two conditions:
(1) This device may not cause harmful interference, and (2) this device must accept any interference received, including interference that originates from authorized users.
We warrant to customers that the applicable FCC Rules and Regulations. The nature of testing was in accordance with the most accurate measurement standards possible, and that all necessary steps have been confirmed to ensure that all production units of the units equipment will continue to comply with the Federal Communications Commission's requirements.


Manager
April 12, 2012

Shenzhen L212 Compliance Testing Laboratory Ltd.
11, Jingqian Industrial Park, Tangle Road, Bao'an Dist., Shenzhen District, Shenzhen, Guangdong, China
Tel: 08757642281-1234 Fax: 08757642281-5678
Http://www.l212.com Email: admin@l212.com

VERIFICATION OF CONFORMITY

Verification of Conformity
Reference No.: L12128428217

Responsible Party : Shenchen Rotensor Technology Development Co., LTD.
Address : 2F No.68 West Longquan Road, Longhua New District, Shenzhen, China
Product : Media DMR
Model No. : RCM-MEDIA, RCM-MEDIAH, RCM-MEDIAS, RCM-MEDIASL, RCM-MEDIAT, RCM-MEDIAE, RCM-MEDIAE, RCM-MEDIAE, RCM-MEDIAE

Trade Mark : Rotensor
Standard : FCC CFR 47 PART 15 Subpart B, 2011, 4805-103.4-0008

Report Note
This device is in compliance with Part 15 of the FCC Rules and Regulations for radio frequency devices. Operation of this product is subject to the following two conditions:
(1) This device may not cause harmful interference, and (2) this device must accept any interference received, including interference that originates from authorized users.
We warrant to customers that the applicable FCC Rules and Regulations. The nature of testing was in accordance with the most accurate measurement standards possible, and that all necessary steps have been confirmed to ensure that all production units of the units equipment will continue to comply with the Federal Communications Commission's requirements.


Manager
April 12, 2012

Shenzhen L212 Compliance Testing Laboratory Ltd.
11, Jingqian Industrial Park, Tangle Road, Bao'an Dist., Shenzhen District, Shenzhen, Guangdong, China
Tel: 08757642281-1234 Fax: 08757642281-5678
Http://www.l212.com Email: admin@l212.com

CERTIFICATE OF CONFORMITY

CERTIFICATE of Conformity
Reference No.: L12128428217

Responsible Party : Shenchen Rotensor Technology Development Co., LTD.
Address : 2F No.68 West Longquan Road, Longhua New District, Shenzhen, China
Product : Media DMR
Model No. : RCM-MEDIA, RCM-MEDIAH, RCM-MEDIAS, RCM-MEDIASL, RCM-MEDIAT, RCM-MEDIAE, RCM-MEDIAE, RCM-MEDIAE, RCM-MEDIAE

Trade Mark : Rotensor

The certified products have been tested to comply with the latest standards and found to conform with the following European Directives:
The EMC Directive 2004/108/EC
EN 60950-1:2005, EN 60950-2:2005

The tests were performed in normal operation mode. The test results apply only to the particular sample tested and in the specific tests carried out. This certificate declares conformity to the sample investigated in our test laboratory under only.

The CE markings on these labels can be affixed to the product after preparation of necessary technical documentation.


Manager
April 12, 2012

Shenzhen L212 Compliance Testing Laboratory Ltd.
11, Jingqian Industrial Park, Tangle Road, Bao'an Dist., Shenzhen District, Shenzhen, Guangdong, China
Tel: 08757642281-1234 Fax: 08757642281-5678
Http://www.l212.com Email: admin@l212.com

CERTIFICATE OF CONFORMITY

CERTIFICATE of Conformity
Reference No.: L12128428217

Responsible Party : Shenchen Rotensor Technology Development Co., LTD.
Address : 2F No.68 West Longquan Road, Longhua New District, Shenzhen, China
Product : Camera
Model No. : RCM-IP200, RCM-IP200L, RCM-IP200H, RCM-IP200S, RCM-IP200T, RCM-IP200E, RCM-200, RCM-400, RCM-600, RCM-800, RCM-1000, RCM-1200, RCM-1500, RCM-2000, RCM-3000, RCM-4000, RCM-5000, RCM-6000, RCM-7000, RCM-8000, RCM-9000, RCM-10000

Trade Mark : Rotensor

The certified products have been tested to comply with the latest standards and found to conform with the following European Directives:
The EMC Directive 2004/108/EC
EN 60950-1:2005, EN 60950-2:2005

The tests were performed in normal operation mode. The test results apply only to the particular sample tested and in the specific tests carried out. This certificate declares conformity to the sample investigated in our test laboratory under only.

The CE markings on these labels can be affixed to the product after preparation of necessary technical documentation.


Manager
April 12, 2012

Shenzhen L212 Compliance Testing Laboratory Ltd.
11, Jingqian Industrial Park, Tangle Road, Bao'an Dist., Shenzhen District, Shenzhen, Guangdong, China
Tel: 08757642281-1234 Fax: 08757642281-5678
Http://www.l212.com Email: admin@l212.com

CERTIFICATE OF CONFORMITY

CERTIFICATE of Conformity
Reference No.: L12128428217

Responsible Party : Shenchen Rotensor Technology Development Co., LTD.
Address : 2F No.68 West Longquan Road, Longhua New District, Shenzhen, China
Product : Camera
Model No. : RCM-IP200, RCM-IP200L, RCM-IP200H, RCM-IP200S, RCM-IP200T, RCM-IP200E, RCM-200, RCM-400, RCM-600, RCM-800, RCM-1000, RCM-1200, RCM-1500, RCM-2000, RCM-3000, RCM-4000, RCM-5000, RCM-6000, RCM-7000, RCM-8000, RCM-9000, RCM-10000

Trade Mark : Rotensor

The certified products have been tested to comply with the requirements of Commission Decision of 27 Aug 2012 according to Directive 2011/65/EU.

The test report is issued by the Company subject to its General Conditions of Service printed on the report. Attention is drawn to the limitations of liability, indemnification and jurisdiction clause printed therein. The results shown in this test report are only in the samples tested unless otherwise stated. This Test Report cannot be reproduced, stored in full, without prior written permission of the Company.


Manager
April 12, 2012

Shenzhen L212 Compliance Testing Laboratory Ltd.
11, Jingqian Industrial Park, Tangle Road, Bao'an Dist., Shenzhen District, Shenzhen, Guangdong, China
Tel: 08757642281-1234 Fax: 08757642281-5678
Http://www.l212.com Email: admin@l212.com

CERTIFICATE OF CONFORMITY

CERTIFICATE of Conformity
Reference No.: L12128428217

Responsible Party : Shenchen Rotensor Technology Development Co., LTD.
Address : 2F No.68 West Longquan Road, Longhua New District, Shenzhen, China
Product : Camera
Model No. : RCM-IP200, RCM-IP200L, RCM-IP200H, RCM-IP200S, RCM-IP200T, RCM-IP200E, RCM-200, RCM-400, RCM-600, RCM-800, RCM-1000, RCM-1200, RCM-1500, RCM-2000, RCM-3000, RCM-4000, RCM-5000, RCM-6000, RCM-7000, RCM-8000, RCM-9000, RCM-10000

Trade Mark : Rotensor

The certified products have been tested to comply with the requirements of Commission Decision of 27 Aug 2012 according to Directive 2011/65/EU.

The test report is issued by the Company subject to its General Conditions of Service printed on the report. Attention is drawn to the limitations of liability, indemnification and jurisdiction clause printed therein. The results shown in this test report are only in the samples tested unless otherwise stated. This Test Report cannot be reproduced, stored in full, without prior written permission of the Company.


Manager
April 12, 2012

Shenzhen L212 Compliance Testing Laboratory Ltd.
11, Jingqian Industrial Park, Tangle Road, Bao'an Dist., Shenzhen District, Shenzhen, Guangdong, China
Tel: 08757642281-1234 Fax: 08757642281-5678
Http://www.l212.com Email: admin@l212.com

Richmor'un var **Otomobil Yan Görünüş Kamerası** ve **7 inç LCD Araç Monitörü** Araç gerçek zamanlı uzaktan izleme gerçekleştirmek için.

Otomobil Yan Görünüş Kamerası's Ambalaj:



Otomobil Yan Görünüş Kamerası's Gönderi Öğe:

1. Örnekler için FedEx / DHL / UPS / TNT, Kapıdan-Kapıya;
2. Teslim Süresi: Örnekler için 3-7 gün; toplu mallar için olumsuzlama.

Ödeme şartları:

1. Ödeme: T / T, Western Union, PayPal; % 30 mevduat; Teslimat öncesi% 70 denge.
2. Adedi: 1 adet
3. Garanti: 1 yıl
4. Ambalaj Bilgileri: Kutu başına 1 adet, marka ambalajı, netural ambalaj ve özelleştirilmiş paketlenme

Neden Bizi Seçiyor?

1. Biz Alibaba 3 yıl Altın Tedarikçi Değerlendirilir.
2. Biz bir fabrika imalatı, en iyi üretim kapasitesi, en iyi kalite kontrolü, En İyi Servis vardır.
3. Bureau Veritas Belgelendirme Denetim Kuruluşu tarafından incelenmiştir.
4. Teslimat öncesi% 4.100 QC muayene.
5. CE / RoHS / FCC listelenmiş, rekabetçi fiyat.