

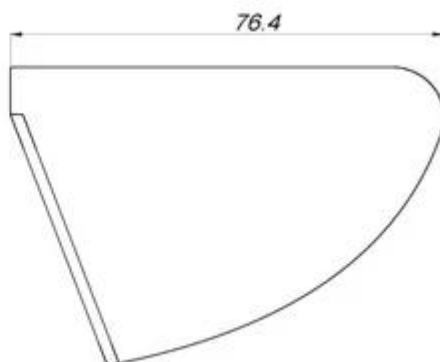
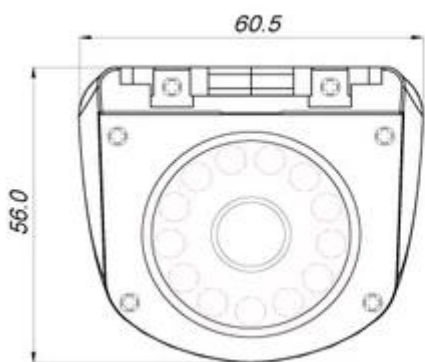
Richmor 1080P IP67

1. Richmor 1080P IP67

2. Richmor 1080P IP67

3. Richmor 1080P IP67

4. Richmor 1080P IP67

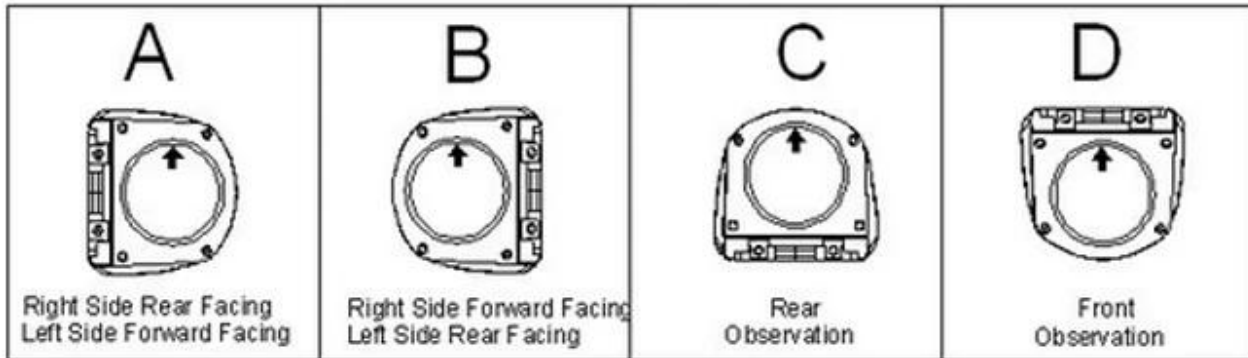


Richmor 1080P IP67

Richmor	Richmor
1080P	1080P Richmor CCD
IP67	PAL / NTSC
420TVL	420TVL / 480TVL / 600TVL
AGC	0 Richmor Richmor
WB	> 50 Richmor AGC Richmor
AGC	Richmor
WB	Richmor

□□□	12 A
□□□□□□□□	10 M
□□□□□	1&NBSP;Vp-p&NBSP;75Ωcomposite&NBSP; ,&NBSP;BNC&NBSP;×1
□□□□	□□□□□□
□□□□□□	□□□□□□
□□□□□	0.45
□□□□	f3.6mm&NBSP;□□□□□□□□&NBSP;□□□□□□□□2.8□□□□□□□□/ 6 □□□□□□□□&NBSP;□□□□□□□□&NBSP;□□□□□□□□
□□□□□	12V&NBSP;□□DC&NBSP;□□±10□
□□□□	210□□□□□□
□□□□	76.4&NBSP;□□X&NBSP;□□60.5&NBSP;□□X&NBSP; □□56□□□□□□
□□□□□	215□□□
□□□□	IP67
□□□□□	-10°C&NBSP;□□□□&NBSP;□□+ 50°C

Camera Module Orientation Matches Letter Orientation Illustrated:



□□□□□□□□□□□□



Richmor

- 1 3
- 2
- 3 CE & FCC & RoHS