

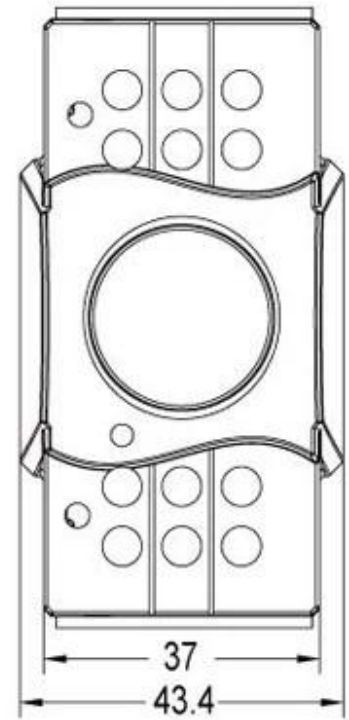
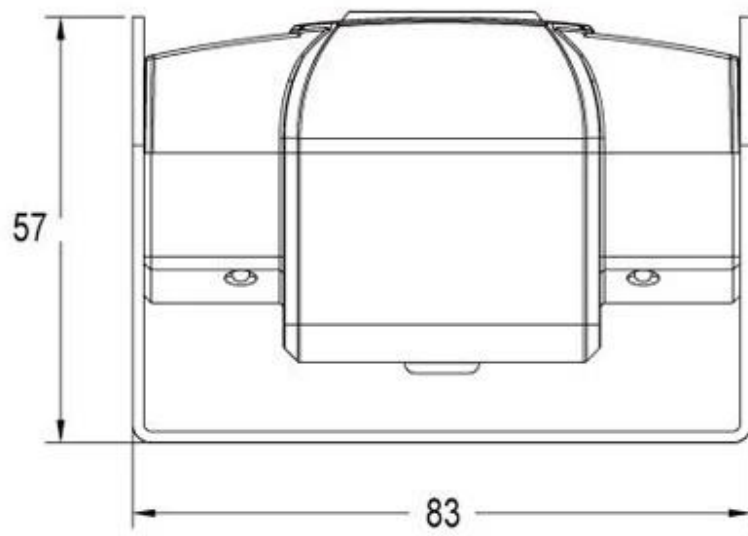
Wasserdichte Kfz-Kamera Zeichen:

- 1.1/3 Sony CCD Sensor
2. Metallgehäuse, Wasserdichte IP66 und Vandalismus-Proof
3. Infrarot-Kamera mit Audio
4. Fabrik direkt Verkauf, wettbewerbsfähige Preise
- 5.0 Lux bei Infrarot-LED auf
6. die Position des Objektivs kann angepasst werden
- 7.420TVL/480TVL/600TVL kann wahlweise freigestellt werden
8. CE-FCC-Zulassung



Wasserdichte Kfz-Kamera Parameter:

| Element | Parameter |
|-----------------------------|--|
| Sensor | 1/3 "Color Sony CCD" |
| TV-System | PAL/NTSC |
| Picture Elemente | PAL: 500Hx582V NTSC: 500Hx494V |
| Horizontale Auflösung | 420TVL/480TVL/600TVL |
| Empfindlichkeit | 0 Lux bei F1.2 (Infrarot-LED an) |
| Scanning-System | 625TVL, 2:1 interlaced |
| Synchronisierung | Internen |
| Infrarot-Spektrum | 850nm |
| S/N Ratio | Mehr als 50 DB, (AGC off) |
| Auto Gain Control (AGC) | Auto |
| Weißabgleich | Auto |
| Elektronischer Verschluss | Auto |
| Zurück Leichte Kompensation | Auto |
| Infrarot-LED | 12St |
| Infrarot-LED-Reichweite | 10 m |
| Videoausgang | 1 Vp-p, 75 ω composite, BNC x 1 |
| Audioausgang | für Optionen |
| Spiegel | für Optionen |
| Gamma-Ratio | 0,45 |
| Objektiv | F3.6 mm Standard Objektiv |
| Exterior Focus Anpassung | N/A |
| Objektiv-Halterung | M12xp 0,5 mm Gewinde |
| Pan-Anpassung | N/A |
| Neigung anpassen | 0-60 ° c |
| Stromversorgung | 12V DC \pm 10% |
| Stromverbrauch | 190mA |
| Abmessungen (L x b x H) | 48,5 L x 87W x 61,2 h mm |
| Nettogewicht | 242g |
| Wasserdichte/wasserdicht | N/A |
| Betriebstemperatur | -10 ° c bis + 50 ° c |



Wasserdichte Kfz-KameraZertifizierung:

VERIFICATION OF CONFORMITY

Verification of Conformity
Reference No.: L121204030719

Responsible Party: Shenzhen Renstor Technology Development Co., LTD.
Address: 1F No.44 West Longgang Road, Longgang New District, Shenzhen, China
Product: Camera
Model No.: RCM-IP272L, RCM-IP273L, RCM-LP273L, RCM-IP274L, RCM-IP275L, RCM-IP276L, RCM-IP277L, RCM-IP278L, RCM-IP279L, RCM-IP280L, RCM-IP281L, RCM-IP282L, RCM-IP283L, RCM-IP284L, RCM-IP285L, RCM-IP286L, RCM-IP287L, RCM-IP288L, RCM-IP289L, RCM-IP290L, RCM-IP291L, RCM-IP292L, RCM-IP293L, RCM-IP294L, RCM-IP295L, RCM-IP296L, RCM-IP297L, RCM-IP298L, RCM-IP299L, RCM-IP300L
Trade Mark: Renstor
Standard: FCC CFR 47 PART 15 Subpart B, 2011, 48CFR 501A-2.006

Report notes:
This device is in conformity with Part 15 of the FCC Rules and Regulations for radio frequency devices. Operation of this product is subject to the following two conditions:
(1) This device may not cause harmful interference, and (2) this device must accept any interference received, including interference that originates from authorized stations.
This device is certified to the applicable FCC Rules and Regulations. The nature of testing was in accordance to the most accurate measurement standards possible, and that all necessary steps have been authorized to ensure that all production units of the entire equipment will continue to comply with the Federal Communications Commission's requirements.

Shenzhen L23 Compliance Testing Laboratory Ltd.
1F, Jingqian Industrial Park, Tengda Road, Bao'an District, Shenzhen, Guangdong, China
Tel: 86(755) 22791122 Fax: 86(755) 22791123
Http://www.l23.com.cn Email: admin@l23.com.cn

Manager
April 12, 2012

VERIFICATION OF CONFORMITY

Verification of Conformity
Reference No.: L121204030719

Responsible Party: Shenzhen Renstor Technology Development Co., LTD.
Address: 1F No.44 West Longgang Road, Longgang New District, Shenzhen, China
Product: Media DVR
Model No.: RCM-MD270L, RCM-MD271L, RCM-MD272L, RCM-MD273L, RCM-MD274L, RCM-MD275L, RCM-MD276L, RCM-MD277L, RCM-MD278L, RCM-MD279L, RCM-MD280L, RCM-MD281L, RCM-MD282L, RCM-MD283L, RCM-MD284L, RCM-MD285L, RCM-MD286L, RCM-MD287L, RCM-MD288L, RCM-MD289L, RCM-MD290L, RCM-MD291L, RCM-MD292L, RCM-MD293L, RCM-MD294L, RCM-MD295L, RCM-MD296L, RCM-MD297L, RCM-MD298L, RCM-MD299L, RCM-MD300L
Trade Mark: Renstor
Standard: FCC CFR 47 PART 15 Subpart B, 2011, 48CFR 501A-2.006

Report notes:
This device is in conformity with Part 15 of the FCC Rules and Regulations for radio frequency devices. Operation of this product is subject to the following two conditions:
(1) This device may not cause harmful interference, and (2) this device must accept any interference received, including interference that originates from authorized stations.
This device is certified to the applicable FCC Rules and Regulations. The nature of testing was in accordance to the most accurate measurement standards possible, and that all necessary steps have been authorized to ensure that all production units of the entire equipment will continue to comply with the Federal Communications Commission's requirements.

Shenzhen L23 Compliance Testing Laboratory Ltd.
1F, Jingqian Industrial Park, Tengda Road, Bao'an District, Shenzhen, Guangdong, China
Tel: 86(755) 22791122 Fax: 86(755) 22791123
Http://www.l23.com.cn Email: admin@l23.com.cn

Manager
April 12, 2012

CERTIFICATE OF CONFORMITY

Certificate of Conformity
Reference No.: L121204030719

Applicant: Shenzhen Renstor Technology Development Co., LTD.
Address: 1F No.44 West Longgang Road, Longgang New District, Shenzhen, China
Product: Media DVR
Model No.: RCM-MD270L, RCM-MD271L, RCM-MD272L, RCM-MD273L, RCM-MD274L, RCM-MD275L, RCM-MD276L, RCM-MD277L, RCM-MD278L, RCM-MD279L, RCM-MD280L, RCM-MD281L, RCM-MD282L, RCM-MD283L, RCM-MD284L, RCM-MD285L, RCM-MD286L, RCM-MD287L, RCM-MD288L, RCM-MD289L, RCM-MD290L, RCM-MD291L, RCM-MD292L, RCM-MD293L, RCM-MD294L, RCM-MD295L, RCM-MD296L, RCM-MD297L, RCM-MD298L, RCM-MD299L, RCM-MD300L
Trade Mark: Renstor

The certified products have been verified to comply with the latest standards and to be in compliance with the following European Directives:
The EMC Directive 2004/108/EC
EN 60950 2006 EN 60950 2012

The tests were performed in a noise chamber mode. The test results apply only to the particular sample tested and in the specific tests carried out. This certificate declares conformity in the sample investigated in our test laboratory under the conditions specified.

The CE markings on these labels can be affixed to the product after preparation of necessary technical documentation.
Other relevant directives have to be observed.

Shenzhen L23 Compliance Testing Laboratory Ltd.
1F, Jingqian Industrial Park, Tengda Road, Bao'an District, Shenzhen, Guangdong, China
Tel: 86(755) 22791122 Fax: 86(755) 22791123
Http://www.l23.com.cn Email: admin@l23.com.cn

Manager
April 12, 2012

CERTIFICATE OF CONFORMITY

Certificate of Conformity
Reference No.: L121204030719

Applicant: Shenzhen Renstor Technology Development Co., LTD.
Address: 1F No.44 West Longgang Road, Longgang New District, Shenzhen, China
Product: Camera
Model No.: RCM-IP272L, RCM-IP273L, RCM-LP273L, RCM-IP274L, RCM-IP275L, RCM-IP276L, RCM-IP277L, RCM-IP278L, RCM-IP279L, RCM-IP280L, RCM-IP281L, RCM-IP282L, RCM-IP283L, RCM-IP284L, RCM-IP285L, RCM-IP286L, RCM-IP287L, RCM-IP288L, RCM-IP289L, RCM-IP290L, RCM-IP291L, RCM-IP292L, RCM-IP293L, RCM-IP294L, RCM-IP295L, RCM-IP296L, RCM-IP297L, RCM-IP298L, RCM-IP299L, RCM-IP300L
Trade Mark: Renstor

The certified products have been verified to comply with the latest standards and to be in compliance with the following European Directives:
The EMC Directive 2004/108/EC
EN 60950 2006 EN 60950 2012

The tests were performed in a noise chamber mode. The test results apply only to the particular sample tested and in the specific tests carried out. This certificate declares conformity in the sample investigated in our test laboratory under the conditions specified.

The CE markings on these labels can be affixed to the product after preparation of necessary technical documentation.
Other relevant directives have to be observed.

Shenzhen L23 Compliance Testing Laboratory Ltd.
1F, Jingqian Industrial Park, Tengda Road, Bao'an District, Shenzhen, Guangdong, China
Tel: 86(755) 22791122 Fax: 86(755) 22791123
Http://www.l23.com.cn Email: admin@l23.com.cn

Manager
April 12, 2012

CERTIFICATE OF CONFORMITY

Certificate of Conformity
Reference No.: L121204030719

When tested as specified, the certified sample complies with the requirements of Commission Decision of 27 July 2011 amending Directive 2011/65/EU

Applicant: Shenzhen Renstor Technology Development Co., LTD.
Address: 1F No.44 West Longgang Road, Longgang New District, Shenzhen, China
Trade Mark: Renstor
Product: Camera
Model No.: RCM-IP272L, RCM-IP273L, RCM-LP273L, RCM-IP274L, RCM-IP275L, RCM-IP276L, RCM-IP277L, RCM-IP278L, RCM-IP279L, RCM-IP280L, RCM-IP281L, RCM-IP282L, RCM-IP283L, RCM-IP284L, RCM-IP285L, RCM-IP286L, RCM-IP287L, RCM-IP288L, RCM-IP289L, RCM-IP290L, RCM-IP291L, RCM-IP292L, RCM-IP293L, RCM-IP294L, RCM-IP295L, RCM-IP296L, RCM-IP297L, RCM-IP298L, RCM-IP299L, RCM-IP300L

The test report is issued by the Company subject to the General Conditions of Service printed on the back. Attention is drawn to the limitations of liability, indemnification and jurisdiction clause on the back. The results shown in this test report also only in the sample tested unless otherwise stated. This Test Report cannot be reproduced, stored in full, without prior written permission of the Company.
Other relevant directives have to be observed.

Shenzhen L23 Compliance Testing Laboratory Ltd.
1F, Jingqian Industrial Park, Tengda Road, Bao'an District, Shenzhen, Guangdong, China
Tel: 86(755) 22791122 Fax: 86(755) 22791123
Http://www.l23.com.cn Email: admin@l23.com.cn

Manager
April 12, 2012

CERTIFICATE OF CONFORMITY

Certificate of Conformity
Reference No.: L121204030719

When tested as specified, the certified sample complies with the requirements of Commission Decision of 27 July 2011 amending Directive 2011/65/EU

Applicant: Shenzhen Renstor Technology Development Co., LTD.
Address: 1F No.44 West Longgang Road, Longgang New District, Shenzhen, China
Trade Mark: Renstor
Product: Media DVR
Model No.: RCM-MD270L, RCM-MD271L, RCM-MD272L, RCM-MD273L, RCM-MD274L, RCM-MD275L, RCM-MD276L, RCM-MD277L, RCM-MD278L, RCM-MD279L, RCM-MD280L, RCM-MD281L, RCM-MD282L, RCM-MD283L, RCM-MD284L, RCM-MD285L, RCM-MD286L, RCM-MD287L, RCM-MD288L, RCM-MD289L, RCM-MD290L, RCM-MD291L, RCM-MD292L, RCM-MD293L, RCM-MD294L, RCM-MD295L, RCM-MD296L, RCM-MD297L, RCM-MD298L, RCM-MD299L, RCM-MD300L

The test report is issued by the Company subject to the General Conditions of Service printed on the back. Attention is drawn to the limitations of liability, indemnification and jurisdiction clause on the back. The results shown in this test report also only in the sample tested unless otherwise stated. This Test Report cannot be reproduced, stored in full, without prior written permission of the Company.
Other relevant directives have to be observed.

Shenzhen L23 Compliance Testing Laboratory Ltd.
1F, Jingqian Industrial Park, Tengda Road, Bao'an District, Shenzhen, Guangdong, China
Tel: 86(755) 22791122 Fax: 86(755) 22791123
Http://www.l23.com.cn Email: admin@l23.com.cn

Manager
April 12, 2012

Andere Kfz-Kamera für Fahrzeug, wie, [Auto-Seitenansicht-Kamera](#)

Wasserdichte Kfz-Kamera Verpackung:



Wasserdichte Kfz-Kamera Versand-Item:

1. FedEx/DHL/UPS/TNT für Proben, Tür-zu-Tür;
2. Lieferzeit: 3-7 Tage für Proben; negoniation für Batch-Güter.

Zahlungsbedingungen:

1. Bezahlung: t/t, Western Union, PayPal; 30% Einlagen; 70% Saldo vor Auslieferung.
2. MOQ: 1pcs
3. Gewährleistung: 1years
4. Paket-Informationen: 1 Stk. pro Karton, Brand Verpackung, netural Verpackung und kundenspezifische Verpackung

Warum wählen Sie uns?

1. Wir sind Alibaba bewertet 3 Jahre Gold-Lieferant.
2. Wir sind eine Fabrik Fertigung, beste Produktion Fähigkeit, beste Qualitätskontrolle, besten Service.
3. inspiziert durch die Kontrollstelle des Bureau Veritas Certification.
- 4,100% QC Inspektion vor dem Versand.
5. CE/RoHS/FCC gelistet, konkurrenzfähige Preise.