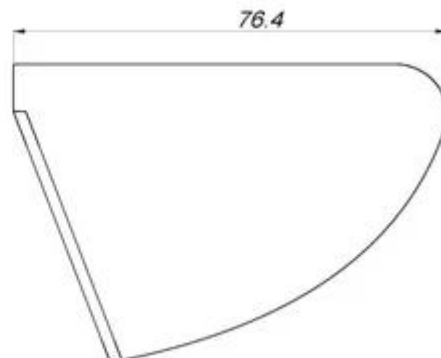
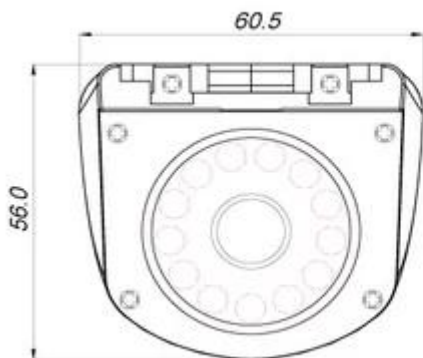


Kamera-Auto-Seitenansicht'S Charakter:

- 1.Metal-Fälle & nbsp; mobile & nbsp; Seiten & nbsp; Blick & nbsp; mit & nbsp; fixiert & nbsp; Linse.
- 2.Available & nbsp; in & nbsp; Silber & nbsp; Abgang.
- 3.low & nbsp; Macht & nbsp; Verbrauch
- 4.Easy installation on ceiling or wall, surface or flush mount.
- 5.IP67 & nbsp; wasserdicht

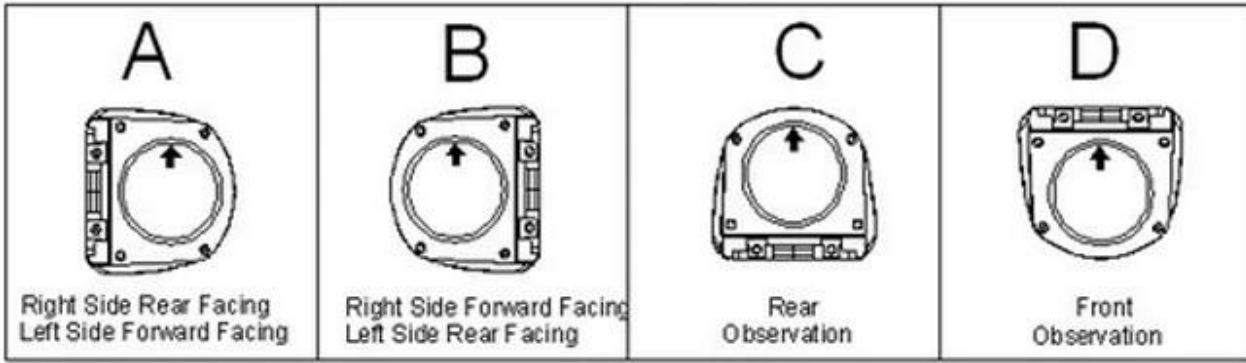


Kamera-Auto-Seitenansicht'S Parameter:

Artikel	Parameter
Sensor	3.1 Farbe Sony CCD
TV-System	PAL / NTSC
Auflösung	420TVL / 480TVL / 600TL für optionale
Empfindlichkeit	0 & nbsp; Lux & nbsp; AT & nbsp; F1.2 & nbsp; (Infrarot & nbsp; LED & nbsp; On)
Scanning & nbsp;-System	625TVL, 2: 1 & nbsp; Interlace

Synchronisation	Intern
Infrarot-Spektrum	850nm
S / N & nbsp; Verhältnis	More & nbsp; als 50 & nbsp; dB, & nbsp; (AGC aus)
Auto & nbsp; Verstärkung & nbsp; Kontrolle (AGC)	Auto
White & nbsp; Abgleich	Auto
Electronic & nbsp; Shutter	Auto
Back & nbsp; Light & nbsp; Compensation	Auto
Infrarot & nbsp; LED	12 LEDs
IR & nbsp; LED & nbsp; Bereich	10 & nbsp; Meter
Video & nbsp; Ausgangs	1 & nbsp; Vp-p, & nbsp; 75Ωcomposite & nbsp; & nbsp; BNC & nbsp; x1
Audio & nbsp; Ausgangs	Für & nbsp; Option
Spiegel & nbsp; Funktion	Für & nbsp; Optionen
Gamma & nbsp; Verhältnis	0,45
Objektiv	f3.6mm Standard & nbsp; Objektiv, 2,8 mm / 6mm & nbsp; Für & nbsp; Optionen
Außen & nbsp; Focus & nbsp; Anpassung	N / A
Objektiv & nbsp; Berg	M12XP0.5mm & nbsp; Thema
Pan & nbsp; einstellen	0-360 °
Power & nbsp; Versorgung	12V & nbsp; DC & nbsp; ± 10%
Power & nbsp; Verbrauch	210mA
Größe(LxBxH)	76,4 & nbsp; x & nbsp; 60,5 & nbsp; x & nbsp; 56mm
Net & nbsp; Gewicht	215g
Wasserdicht	IP67
Temperatur	-10 ° C & nbsp; in & nbsp; + 50 ° C

Camera Module Orientation Matches Letter Orientation Illustrated:



Kamera-Auto-Seitenansicht'S-Zertifizierung:

<p>VERIFICATION OF CONFORMITY</p> <p>Verification of Conformity Reference No.: L13126002670</p> <p>Responsible Party: Shenzhen Richmor Technology Development Co., LTD.</p> <p>Address: #100 West Longgang Road, Longgang New District, Shenzhen, China</p> <p>Product: Camera</p> <p>Model No.: RCM-IP120, RCM-IP120A, RCM-IP120B, RCM-IP120C, RCM-IP120D, RCM-IP120E, RCM-IP120F, RCM-IP120G, RCM-IP120H, RCM-IP120I, RCM-IP120J, RCM-IP120K, RCM-IP120L, RCM-IP120M, RCM-IP120N, RCM-IP120O, RCM-IP120P, RCM-IP120Q, RCM-IP120R, RCM-IP120S, RCM-IP120T, RCM-IP120U, RCM-IP120V, RCM-IP120W, RCM-IP120X, RCM-IP120Y, RCM-IP120Z</p> <p>Trade Mark: Richmor</p> <p>Standard: FCC CFR 47 PART 15 Subpart B, 2011, ANSI C63.4-2008</p> <p>Report notes: This device is in conformance with Part 15 of the FCC Rules and Regulations for radio frequency devices. Operation of this product is subject to the following conditions: (1) This device may not cause harmful interference, and (2) this device must accept any interference received, including interference that may cause undesired operation. This device is in conformance with the applicable FCC Rules and Regulations. The method of testing used in accordance with the most accurate measurement standards available, and that all necessary steps have been followed to ensure that all production units of the same equipment will continue to comply with the Federal Communications Commission's requirements.</p> <p>Shenzhen L22 Compliance Testing Laboratory Ltd. #100 West Longgang Road, Longgang New District, Shenzhen, China Tel: 86755-82291122 Fax: 86755-82291122 http://www.l22.com.cn Email: admin@l22.com.cn</p> <p>April 10, 2012</p>	<p>VERIFICATION OF CONFORMITY</p> <p>Verification of Conformity Reference No.: L13126002670</p> <p>Responsible Party: Shenzhen Richmor Technology Development Co., LTD.</p> <p>Address: #100 West Longgang Road, Longgang New District, Shenzhen, China</p> <p>Product: Camera</p> <p>Model No.: RCM-IP120, RCM-IP120A, RCM-IP120B, RCM-IP120C, RCM-IP120D, RCM-IP120E, RCM-IP120F, RCM-IP120G, RCM-IP120H, RCM-IP120I, RCM-IP120J, RCM-IP120K, RCM-IP120L, RCM-IP120M, RCM-IP120N, RCM-IP120O, RCM-IP120P, RCM-IP120Q, RCM-IP120R, RCM-IP120S, RCM-IP120T, RCM-IP120U, RCM-IP120V, RCM-IP120W, RCM-IP120X, RCM-IP120Y, RCM-IP120Z</p> <p>Trade Mark: Richmor</p> <p>Standard: FCC CFR 47 PART 15 Subpart B, 2011, ANSI C63.4-2008</p> <p>Report notes: This device is in conformance with Part 15 of the FCC Rules and Regulations for radio frequency devices. Operation of this product is subject to the following conditions: (1) This device may not cause harmful interference, and (2) this device must accept any interference received, including interference that may cause undesired operation. This device is in conformance with the applicable FCC Rules and Regulations. The method of testing used in accordance with the most accurate measurement standards available, and that all necessary steps have been followed to ensure that all production units of the same equipment will continue to comply with the Federal Communications Commission's requirements.</p> <p>Shenzhen L22 Compliance Testing Laboratory Ltd. #100 West Longgang Road, Longgang New District, Shenzhen, China Tel: 86755-82291122 Fax: 86755-82291122 http://www.l22.com.cn Email: admin@l22.com.cn</p> <p>April 10, 2012</p>	<p>CERTIFICATE OF CONFORMITY</p> <p>Certificate of Conformity Reference No.: L13126002670</p> <p>Applicant: Shenzhen Richmor Technology Development Co., LTD.</p> <p>Address: #100 West Longgang Road, Longgang New District, Shenzhen, China</p> <p>Product: Camera</p> <p>Model: RCM-IP120, RCM-IP120A, RCM-IP120B, RCM-IP120C, RCM-IP120D, RCM-IP120E, RCM-IP120F, RCM-IP120G, RCM-IP120H, RCM-IP120I, RCM-IP120J, RCM-IP120K, RCM-IP120L, RCM-IP120M, RCM-IP120N, RCM-IP120O, RCM-IP120P, RCM-IP120Q, RCM-IP120R, RCM-IP120S, RCM-IP120T, RCM-IP120U, RCM-IP120V, RCM-IP120W, RCM-IP120X, RCM-IP120Y, RCM-IP120Z</p> <p>Trade Mark: Richmor</p> <p>The submitted products have been tested to comply with the latest standards and found to conform with the following European Directive: The EMC Directive 2004/108/EC EN 55022: 2007, EN 55024: 2010</p> <p>The tests were performed in a normal operation mode. The test results apply only to the particular sample tested and in the specific mode tested. This certificate applies specifically to the sample investigated in the test reference number only.</p> <p>The CE markings on these items can be affixed to the product after preparation of necessary technical documentation.</p> <p>Other relevant Directives have to be observed.</p> <p>CE</p> <p>Shenzhen L22 Compliance Testing Laboratory Ltd. #100 West Longgang Road, Longgang New District, Shenzhen, China Tel: 86755-82291122 Fax: 86755-82291122 http://www.l22.com.cn Email: admin@l22.com.cn</p> <p>April 10, 2012</p>
<p>CERTIFICATE OF CONFORMITY</p> <p>Certificate of Conformity Reference No.: L13126002670</p> <p>Applicant: Shenzhen Richmor Technology Development Co., LTD.</p> <p>Address: #100 West Longgang Road, Longgang New District, Shenzhen, China</p> <p>Product: Camera</p> <p>Model: RCM-IP120, RCM-IP120A, RCM-IP120B, RCM-IP120C, RCM-IP120D, RCM-IP120E, RCM-IP120F, RCM-IP120G, RCM-IP120H, RCM-IP120I, RCM-IP120J, RCM-IP120K, RCM-IP120L, RCM-IP120M, RCM-IP120N, RCM-IP120O, RCM-IP120P, RCM-IP120Q, RCM-IP120R, RCM-IP120S, RCM-IP120T, RCM-IP120U, RCM-IP120V, RCM-IP120W, RCM-IP120X, RCM-IP120Y, RCM-IP120Z</p> <p>Trade Mark: Richmor</p> <p>The submitted products have been tested to comply with the latest standards and found to conform with the following European Directive: The EMC Directive 2004/108/EC EN 55022: 2007, EN 55024: 2010</p> <p>The tests were performed in a normal operation mode. The test results apply only to the particular sample tested and in the specific mode tested. This certificate applies specifically to the sample investigated in the test reference number only.</p> <p>The CE markings on these items can be affixed to the product after preparation of necessary technical documentation.</p> <p>Other relevant Directives have to be observed.</p> <p>CE</p> <p>Shenzhen L22 Compliance Testing Laboratory Ltd. #100 West Longgang Road, Longgang New District, Shenzhen, China Tel: 86755-82291122 Fax: 86755-82291122 http://www.l22.com.cn Email: admin@l22.com.cn</p> <p>April 10, 2012</p>	<p>CERTIFICATE OF CONFORMITY</p> <p>Certificate of Conformity Reference No.: L13126002670</p> <p>When tested as specified, the submitted sample complies with the requirements of Commission Decision of 27 July 2011 amending Directive 2011/65/EU.</p> <p>Applicant: Shenzhen Richmor Technology Development Co., LTD.</p> <p>Address: #100 West Longgang Road, Longgang New District, Shenzhen, China</p> <p>Trade Mark: Richmor</p> <p>Product: Camera</p> <p>Model: RCM-IP120, RCM-IP120A, RCM-IP120B, RCM-IP120C, RCM-IP120D, RCM-IP120E, RCM-IP120F, RCM-IP120G, RCM-IP120H, RCM-IP120I, RCM-IP120J, RCM-IP120K, RCM-IP120L, RCM-IP120M, RCM-IP120N, RCM-IP120O, RCM-IP120P, RCM-IP120Q, RCM-IP120R, RCM-IP120S, RCM-IP120T, RCM-IP120U, RCM-IP120V, RCM-IP120W, RCM-IP120X, RCM-IP120Y, RCM-IP120Z</p> <p>The test report is issued by the Company subject to its General Conditions of Service printed on the reverse of this report. The results shown in this test report are only for the sample tested unless otherwise stated. This Test Report cannot be reproduced, copied or full without prior written permission of the Company.</p> <p>Other relevant Directives have to be observed.</p> <p>RoHS</p> <p>Shenzhen L22 Compliance Testing Laboratory Ltd. #100 West Longgang Road, Longgang New District, Shenzhen, China Tel: 86755-82291122 Fax: 86755-82291122 http://www.l22.com.cn Email: admin@l22.com.cn</p> <p>April 10, 2012</p>	<p>CERTIFICATE OF CONFORMITY</p> <p>Certificate of Conformity Reference No.: L13126002670</p> <p>When tested as specified, the submitted sample complies with the requirements of Commission Decision of 27 July 2011 amending Directive 2011/65/EU.</p> <p>Applicant: Shenzhen Richmor Technology Development Co., LTD.</p> <p>Address: #100 West Longgang Road, Longgang New District, Shenzhen, China</p> <p>Trade Mark: Richmor</p> <p>Product: Camera</p> <p>Model: RCM-IP120, RCM-IP120A, RCM-IP120B, RCM-IP120C, RCM-IP120D, RCM-IP120E, RCM-IP120F, RCM-IP120G, RCM-IP120H, RCM-IP120I, RCM-IP120J, RCM-IP120K, RCM-IP120L, RCM-IP120M, RCM-IP120N, RCM-IP120O, RCM-IP120P, RCM-IP120Q, RCM-IP120R, RCM-IP120S, RCM-IP120T, RCM-IP120U, RCM-IP120V, RCM-IP120W, RCM-IP120X, RCM-IP120Y, RCM-IP120Z</p> <p>The test report is issued by the Company subject to its General Conditions of Service printed on the reverse of this report. The results shown in this test report are only for the sample tested unless otherwise stated. This Test Report cannot be reproduced, copied or full without prior written permission of the Company.</p> <p>Other relevant Directives have to be observed.</p> <p>RoHS</p> <p>Shenzhen L22 Compliance Testing Laboratory Ltd. #100 West Longgang Road, Longgang New District, Shenzhen, China Tel: 86755-82291122 Fax: 86755-82291122 http://www.l22.com.cn Email: admin@l22.com.cn</p> <p>April 10, 2012</p>

Richmor haben **Kamera-Auto-Seitenansicht** und **7-Zoll-LCD-Auto-Monitor** für Fahrzeug-Echtzeit erkennen, Fernüberwachung.

Kamera-Auto-Seitenansicht'S Verpackung:



Kamera-Auto-Seitenansicht'S Versand Artikel:

1. & nbsp; FedEx / DHL / UPS / TNT & nbsp; für & nbsp; Proben, & nbsp; Tür-zu-Tür;
2. & nbsp; Lieferung & nbsp; Zeit: & nbsp; 3-7 & nbsp; Tage & nbsp; für & nbsp; Proben; negoniation für & nbsp; Batch-& nbsp; Waren.

Zahlung & nbsp; Ausdrücke:

1. & nbsp; Zahlung: & nbsp; T / T, & nbsp; Western & nbsp; Union, PayPal, & nbsp; 30% & nbsp; Einlagen; & nbsp; 70% & nbsp; Balance & nbsp; vor & nbsp; Lieferung.
2. & nbsp; MOQ: & nbsp; 1pcs
3. & nbsp; Garantie & nbsp; ;: 1 Jahr
4. & nbsp; Paket & nbsp; Informationen: PC 1 & nbsp; pro & nbsp; Feld, Markenverpackung, Verpackungs netural und kundenspezifische Verpackung

WARUM WIR?

- 1.We & nbsp; sind & nbsp; Alibaba & nbsp; beurteilten & nbsp; 3 & nbsp; Jahre & nbsp; Gold & nbsp; Lieferant.
- 2.We are a factory manufacturing,best production capability ,best quality control, Best Service .
- 3.Inspected by the Inspection Institution of Bureau Veritas Certification.
- 4.100% & nbsp; QC & nbsp; Inspektion & nbsp; Vorher & nbsp; Versand.
5. & nbsp; CE / RoHS / FCC & nbsp; aufgeführt, competitve & nbsp; Preis.