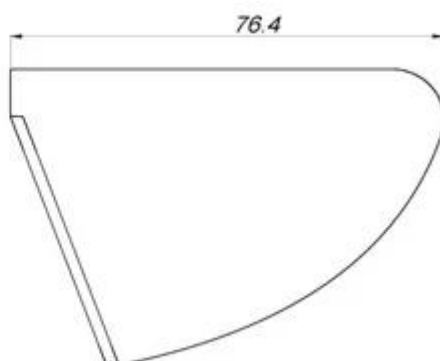
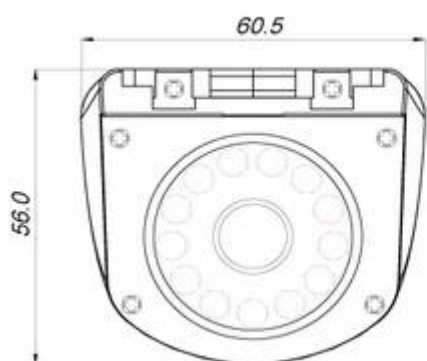


### Car Side View Camera'S Character:

1. metal pouzdra a nbsp; mobilní & nbsp; boční & nbsp; view & nbsp; se & nbsp; pevné & nbsp; objektivu.
2. Available & nbsp; v & nbsp; silver & nbsp; povrch.
3. Low & nbsp; výkon & nbsp; spotřeba
4. Easy installation on ceiling or wall, surface or flush mount.
5. IP67 & nbsp; vodotěsný

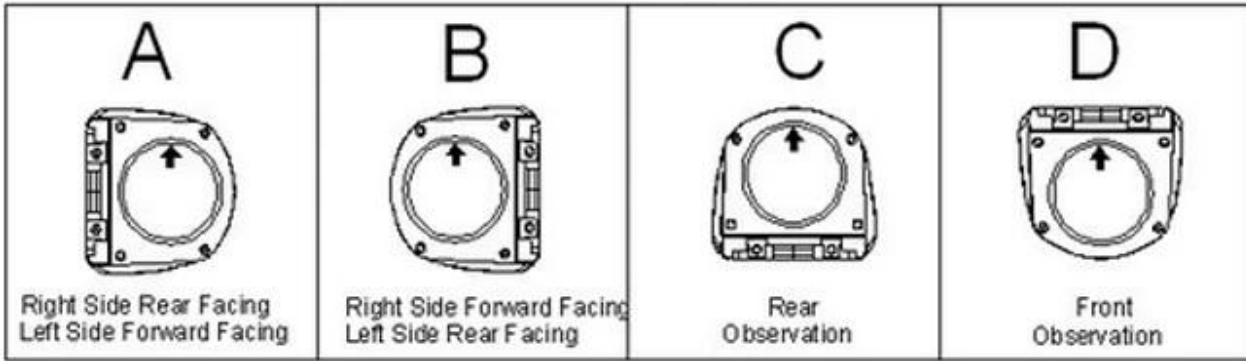


### Car Side View Camera'S Parametr:

Položka	Parametr
Sensor	1/3 Color Sony CCD
TV systém	PAL / NTSC
Rozlišení	420TVL / 480TVL / 600TL pro volitelnou
Citlivost	0 & nbsp; Lux & nbsp; na & nbsp; F1.2 & nbsp; ( Infračervený & nbsp; LED & nbsp; On)
Skenování & nbsp; System	625TVL, 2: 1 & nbsp; prokládaný

Synchronizace	Vnitřní
Infračervené spektrum	850nm
S / N & nbsp; poměr	Více & nbsp; než 50 & nbsp; dB, & nbsp; (AGC off)
Auto & nbsp; Gain & nbsp; Control (AGC)	Auto
White & nbsp; Balance	Auto
Electronic & nbsp; závěrky	Auto
Back & nbsp; Light & nbsp; kompenzace	Auto
Infračervený & nbsp; LED	12 LED diody
IR & nbsp; LED & nbsp; rozsah	10 & nbsp; Meter
Video & nbsp; výstup	1 & nbsp; Vp-p, & nbsp; 75Ωcomposite & nbsp;, & nbsp; BNC & nbsp; x1
Audio & nbsp; výstup	Pro & nbsp; Option
Mirror & nbsp; funkce	Pro & nbsp; možnosti
Gamma & nbsp; poměr	0,45
Objektiv	f3.6mm Standard & nbsp; Lens, 2,8 mm / 6 mm & nbsp; U & nbsp; Options
Exteriér & nbsp; zaostření & nbsp; Nastavení	N / A
Objektivy & nbsp; montáž	M12XP0.5mm & nbsp; závitů
Pan & nbsp; Nastavení	0-360 °
Power & nbsp; Supply	12V & nbsp; DC & nbsp; ± 10%
Power & nbsp; spotřeba	210mA
Velikost(Dx š xv)	76.4 & nbsp; x & nbsp; 60,5 & nbsp; x & nbsp; 56mm
Net & nbsp; hmotnost	215g
Vodotěsný	IP67
Teplota	-10 ° C & nbsp; na & nbsp; + 50 ° C

## Camera Module Orientation Matches Letter Orientation Illustrated:



## Car Side View Camera'S Certifkace:

VERIFICATION OF CONFORMITY	<p style="text-align: center;"><b>Verification of Conformity</b> Reference No.: L131284528710</p> <p><b>Applicant:</b> Shenchen Richmor Technology Development Co., LTD.</p> <p><b>Address:</b> #1 No.41 West Longquan Road, Longshan New District, Shenzhen, China</p> <p><b>Product:</b> Camera</p> <p><b>Model No.:</b> RCM-IP120, RCM-IP240, RCM-IP360, RCM-IP480, RCM-IP600, RCM-IP720, RCM-IP840, RCM-IP960, RCM-IP1080, RCM-IP1200, RCM-IP1320, RCM-IP1440, RCM-IP1560, RCM-IP1680, RCM-IP1800, RCM-IP1920, RCM-IP2040, RCM-IP2160, RCM-IP2280, RCM-IP2400</p> <p><b>Trade Mark:</b> Richmor</p> <p><b>Standard:</b> FCC, CEM, EN 55022, EN 55024, EN 60950-1:2006</p> <p><b>Report Date:</b> April 10, 2012</p> <p>The device is in conformance with Part 15 of the FCC Rules and Regulations for radio frequency devices. Operation of this product is subject to the following conditions:                  (1) This device may not cause harmful interference, and (2) this device must accept any interference received, including interference that may cause undesired operation.                  This device is subject to the specific FCC Rules and Regulations. The method of testing used in accordance with the test procedure measurement standards applied, and that all necessary steps have been followed to ensure that all production units of the same equipment will continue to comply with the Federal Communications Commission's requirements.</p> <p style="text-align: right;"> Manager April 10, 2012</p> <p style="font-size: small;">Shenzhen L22 Compliance Testing Laboratory Ltd. #1, Jingqian Industrial Park, Tangle Road, Bao'an Dist., Shenzhen District, Shenzhen, Guangdong, China Tel: 86755-26221122 Fax: 86755-26221122 Http://www.L22.com Email: admin@L22.com</p>	VERIFICATION OF CONFORMITY	<p style="text-align: center;"><b>Verification of Conformity</b> Reference No.: L131284528710</p> <p><b>Applicant:</b> Shenchen Richmor Technology Development Co., LTD.</p> <p><b>Address:</b> #1 No.41 West Longquan Road, Longshan New District, Shenzhen, China</p> <p><b>Product:</b> Module DVR</p> <p><b>Model No.:</b> RCM-MD120, RCM-MD240, RCM-MD360, RCM-MD480, RCM-MD600, RCM-MD720, RCM-MD840, RCM-MD960, RCM-MD1080, RCM-MD1200, RCM-MD1320, RCM-MD1440, RCM-MD1560, RCM-MD1680, RCM-MD1800, RCM-MD1920, RCM-MD2040, RCM-MD2160, RCM-MD2280, RCM-MD2400</p> <p><b>Trade Mark:</b> Richmor</p> <p><b>Standard:</b> FCC, CEM, EN 55022, EN 55024, EN 60950-1:2006</p> <p><b>Report Date:</b> April 10, 2012</p> <p>This device is in conformance with Part 15 of the FCC Rules and Regulations for radio frequency devices. Operation of this product is subject to the following conditions:                  (1) This device may not cause harmful interference, and (2) this device must accept any interference received, including interference that may cause undesired operation.                  This device is subject to the specific FCC Rules and Regulations. The method of testing used in accordance with the test procedure measurement standards applied, and that all necessary steps have been followed to ensure that all production units of the same equipment will continue to comply with the Federal Communications Commission's requirements.</p> <p style="text-align: right;"> Manager April 10, 2012</p> <p style="font-size: small;">Shenzhen L22 Compliance Testing Laboratory Ltd. #1, Jingqian Industrial Park, Tangle Road, Bao'an Dist., Shenzhen District, Shenzhen, Guangdong, China Tel: 86755-26221122 Fax: 86755-26221122 Http://www.L22.com Email: admin@L22.com</p>	CERTIFICATE OF CONFORMITY	<p style="text-align: center;"><b>CERTIFICATE of Conformity</b> Reference No.: L131284528710</p> <p><b>Applicant:</b> Shenchen Richmor Technology Development Co., LTD.</p> <p><b>Address:</b> #1 No.41 West Longquan Road, Longshan New District, Shenzhen, China</p> <p><b>Product:</b> Module DVR</p> <p><b>Model:</b> RCM-MD120, RCM-MD240, RCM-MD360, RCM-MD480, RCM-MD600, RCM-MD720, RCM-MD840, RCM-MD960, RCM-MD1080, RCM-MD1200, RCM-MD1320, RCM-MD1440, RCM-MD1560, RCM-MD1680, RCM-MD1800, RCM-MD1920, RCM-MD2040, RCM-MD2160, RCM-MD2280, RCM-MD2400</p> <p><b>Trade Mark:</b> Richmor</p> <p>The submitted products have been tested to comply with the latest standards and found to conform with the following European Directives:                  The EMC Directive 2004/108/EC                  EN 55022: 2007, EN 55024: 2007</p> <p>The tests were performed in a normal operation mode. The test results apply only to the particular sample tested and in the specific mode tested. This certificate applies specifically to the sample investigated in the test reference number only.</p> <p>The CE markings on these items can be affixed to the product after preparation of necessary technical documentation.</p> <p>Other relevant Directives have to be observed.</p> <p style="text-align: right;"> Manager April 10, 2012</p> <p style="font-size: small;">Shenzhen L22 Compliance Testing Laboratory Ltd. #1, Jingqian Industrial Park, Tangle Road, Bao'an Dist., Shenzhen District, Shenzhen, Guangdong, China Tel: 86755-26221122 Fax: 86755-26221122 Http://www.L22.com Email: admin@L22.com</p>
CERTIFICATE OF CONFORMITY	<p style="text-align: center;"><b>CERTIFICATE of Conformity</b> Reference No.: L131284528710</p> <p><b>Applicant:</b> Shenchen Richmor Technology Development Co., LTD.</p> <p><b>Address:</b> #1 No.41 West Longquan Road, Longshan New District, Shenzhen, China</p> <p><b>Product:</b> Camera</p> <p><b>Model:</b> RCM-IP120, RCM-IP240, RCM-IP360, RCM-IP480, RCM-IP600, RCM-IP720, RCM-IP840, RCM-IP960, RCM-IP1080, RCM-IP1200, RCM-IP1320, RCM-IP1440, RCM-IP1560, RCM-IP1680, RCM-IP1800, RCM-IP1920, RCM-IP2040, RCM-IP2160, RCM-IP2280, RCM-IP2400</p> <p><b>Trade Mark:</b> Richmor</p> <p>The submitted products have been tested to comply with the latest standards and found to conform with the following European Directives:                  The EMC Directive 2004/108/EC                  EN 55022: 2007, EN 55024: 2007</p> <p>The tests were performed in a normal operation mode. The test results apply only to the particular sample tested and in the specific mode tested. This certificate applies specifically to the sample investigated in the test reference number only.</p> <p>The CE markings on these items can be affixed to the product after preparation of necessary technical documentation.</p> <p>Other relevant Directives have to be observed.</p> <p style="text-align: right;"> Manager April 10, 2012</p> <p style="font-size: small;">Shenzhen L22 Compliance Testing Laboratory Ltd. #1, Jingqian Industrial Park, Tangle Road, Bao'an Dist., Shenzhen District, Shenzhen, Guangdong, China Tel: 86755-26221122 Fax: 86755-26221122 Http://www.L22.com Email: admin@L22.com</p>	CERTIFICATE OF CONFORMITY	<p style="text-align: center;"><b>CERTIFICATE of Conformity</b> Reference No.: L131284528710</p> <p><b>Applicant:</b> Shenchen Richmor Technology Development Co., LTD.</p> <p><b>Address:</b> #1 No.41 West Longquan Road, Longshan New District, Shenzhen, China</p> <p><b>Product:</b> Module DVR</p> <p><b>Model:</b> RCM-MD120, RCM-MD240, RCM-MD360, RCM-MD480, RCM-MD600, RCM-MD720, RCM-MD840, RCM-MD960, RCM-MD1080, RCM-MD1200, RCM-MD1320, RCM-MD1440, RCM-MD1560, RCM-MD1680, RCM-MD1800, RCM-MD1920, RCM-MD2040, RCM-MD2160, RCM-MD2280, RCM-MD2400</p> <p><b>Trade Mark:</b> Richmor</p> <p>The submitted products have been tested to comply with the latest standards and found to conform with the requirements of Commission Decision of 27 July 2007 amending Directive 2002/95/EC.</p> <p><b>Applicant:</b> Shenchen Richmor Technology Development Co., LTD.</p> <p><b>Address:</b> #1 No.41 West Longquan Road, Longshan New District, Shenzhen, China</p> <p><b>Trade Mark:</b> Richmor</p> <p><b>Product:</b> Camera</p> <p><b>Model:</b> RCM-IP120, RCM-IP240, RCM-IP360, RCM-IP480, RCM-IP600, RCM-IP720, RCM-IP840, RCM-IP960, RCM-IP1080, RCM-IP1200, RCM-IP1320, RCM-IP1440, RCM-IP1560, RCM-IP1680, RCM-IP1800, RCM-IP1920, RCM-IP2040, RCM-IP2160, RCM-IP2280, RCM-IP2400</p> <p>The test report is issued by the Company subject to its General Conditions of Service printed on the report. Attention is drawn to the limitations of liability, indemnification and professional liability waiver clauses. The results shown in this test report are only for the samples tested unless otherwise stated. This Test Report cannot be reproduced, copied or full without prior written permission of the Company.</p> <p>Other relevant Directives have to be observed.</p> <p style="text-align: right;"> Manager April 10, 2012</p> <p style="font-size: small;">Shenzhen L22 Compliance Testing Laboratory Ltd. #1, Jingqian Industrial Park, Tangle Road, Bao'an Dist., Shenzhen District, Shenzhen, Guangdong, China Tel: 86755-26221122 Fax: 86755-26221122 Http://www.L22.com Email: admin@L22.com</p>	CERTIFICATE OF CONFORMITY	<p style="text-align: center;"><b>CERTIFICATE of Conformity</b> Reference No.: L131284528710</p> <p><b>Applicant:</b> Shenchen Richmor Technology Development Co., LTD.</p> <p><b>Address:</b> #1 No.41 West Longquan Road, Longshan New District, Shenzhen, China</p> <p><b>Product:</b> Module DVR</p> <p><b>Model:</b> RCM-MD120, RCM-MD240, RCM-MD360, RCM-MD480, RCM-MD600, RCM-MD720, RCM-MD840, RCM-MD960, RCM-MD1080, RCM-MD1200, RCM-MD1320, RCM-MD1440, RCM-MD1560, RCM-MD1680, RCM-MD1800, RCM-MD1920, RCM-MD2040, RCM-MD2160, RCM-MD2280, RCM-MD2400</p> <p><b>Trade Mark:</b> Richmor</p> <p>The test report is issued by the Company subject to its General Conditions of Service printed on the report. Attention is drawn to the limitations of liability, indemnification and professional liability waiver clauses. The results shown in the test report are only for the samples tested unless otherwise stated. This Test Report cannot be reproduced, copied or full without prior written permission of the Company.</p> <p>Other relevant Directives have to be observed.</p> <p style="text-align: right;"> Manager April 10, 2012</p> <p style="font-size: small;">Shenzhen L22 Compliance Testing Laboratory Ltd. #1, Jingqian Industrial Park, Tangle Road, Bao'an Dist., Shenzhen District, Shenzhen, Guangdong, China Tel: 86755-26221122 Fax: 86755-26221122 Http://www.L22.com Email: admin@L22.com</p>

Richmor mají **Car Side View Camera** a **7 palcový LCD monitor do auta** pro vozidla realizovat v reálném čase na dálku sledovat.

## Car Side View Camera'S Balení:



### Car Side View Camera

Je doprava položky:

1. FedEx / DHL / UPS / TNT na vzorků, Door-to-Door;
2. Delivery Time: 3-7 dny na vzorků, negotiation na batch zboží.

Platba podmínky:

1. platby: T / T, Western Union, PayPal; 30% vklady; 70% rovnováhu před doručení.
2. MOQ: 1ks
3. Warranty :: 1 rok
4. Balení informace: 1 ks na box, značky, balení netural balení a uživatelsky balení

Proč si vybrali nás?

1. We se Alibaba Pravděpodobně 3 let a Gold dodavatel.
2. We are a factory manufacturing, best production capability, best quality control, Best Service.
3. Inspected by the Inspection Institution of Bureau Veritas Certification.
4. 100% QC kontrola Před shipment.
5. CE / RoHS / FCC uveden, Závodní cenu.