

Main Features

- H.264 Compression,support 4CH 720P AHD input/ 4CH analog standard definition Camera input/2CH HD + 2CH SD mixed input;
- 2CH video output (1CH CVBS video, VGA output for optional.)
- Exclusive pre-allocate File System protect data completeness,prevent SD Card fragment,ensure data stable and complete.
- 8-36V wide voltage with low power consumption.
- Unique UPS Technology ensures the integrity of record when power failure occurs,even can for 8-10s.
- HDD+SD Card Storage (Support 2.5" HDD, max 128G SD Card) protect from Shock & Dust damage;support USB port data backup and device update;
- Support 2 USB interfaces, data backup and device upgrade.
- Support 6CH alarm input (1CH RS485 + 1CH RS232), 2CH independent alarm output.
- Support HDD heating functions,can work in harsh environment.
- Support GPS/BD/G-Sensor Extension modules;
- Realize real time monitor through 3G/4G;
- Support WIFI module, can download data automatically.
- Support Broadcast/Intercom/Text sent etc;can add oil sensor/temperature sensor/POS/LED Advertisement Panel;
- Support SMS remote configure/ control device;
- OTA(On-The-Air) Device automatically upgrade function, can upgrade to updated version , maintenance is more convenient.
- Support voice call function.
- Support IOS/Android Phone Remote monitor
- High level aviation interface,easily installation and better shockproof, more stable;

PRODUCT SHOW

Product's Front Side

Display Military Design/ Good Stability/Durable /Shockproof & Earthquake Resistant



Product's Back Side

Display Wide Voltage Design / Data Comprehensive Protection / High Security



PRODUCT SHOW

Product's Front Side

Display

Military Design/ Good Stability/Durable /Shockproof & Earthquake Resistant



Product's Back Side

Display

Wide Voltage Design / Data Comprehensive Protection / High Security

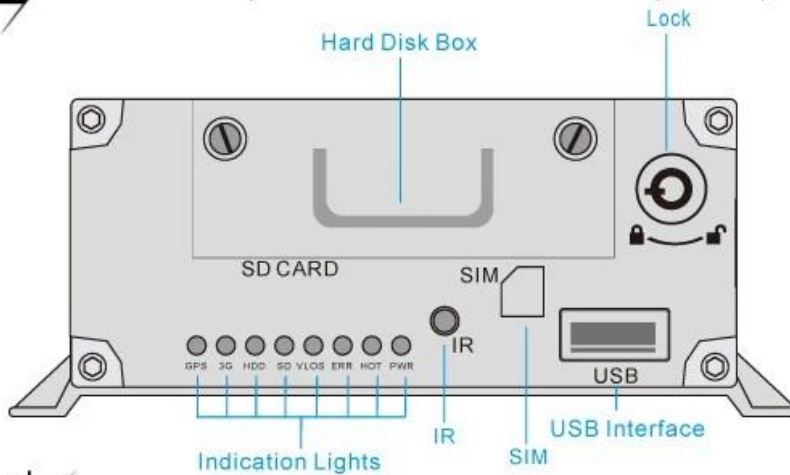


STRUCTURE

Front Panel

Details

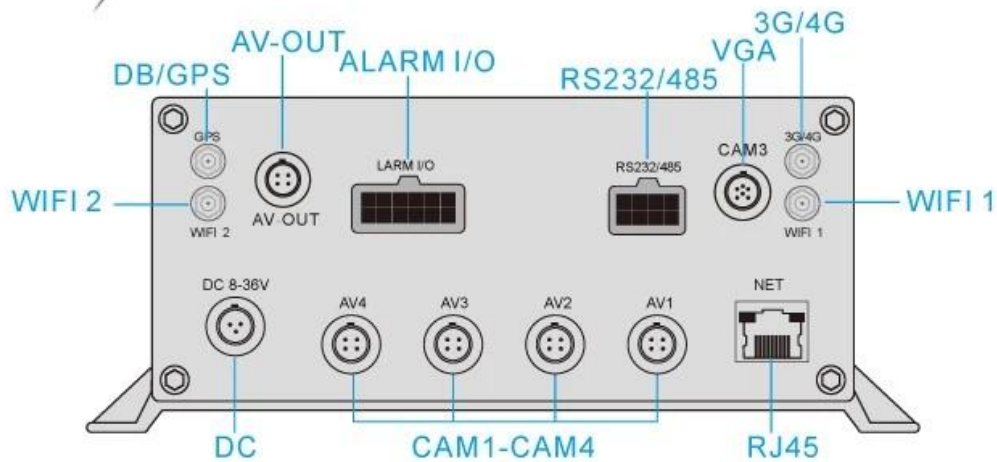
Professional Security Device/Powerful Functions/ User-friendly Button Operation/ Easy to Use



Back Panel

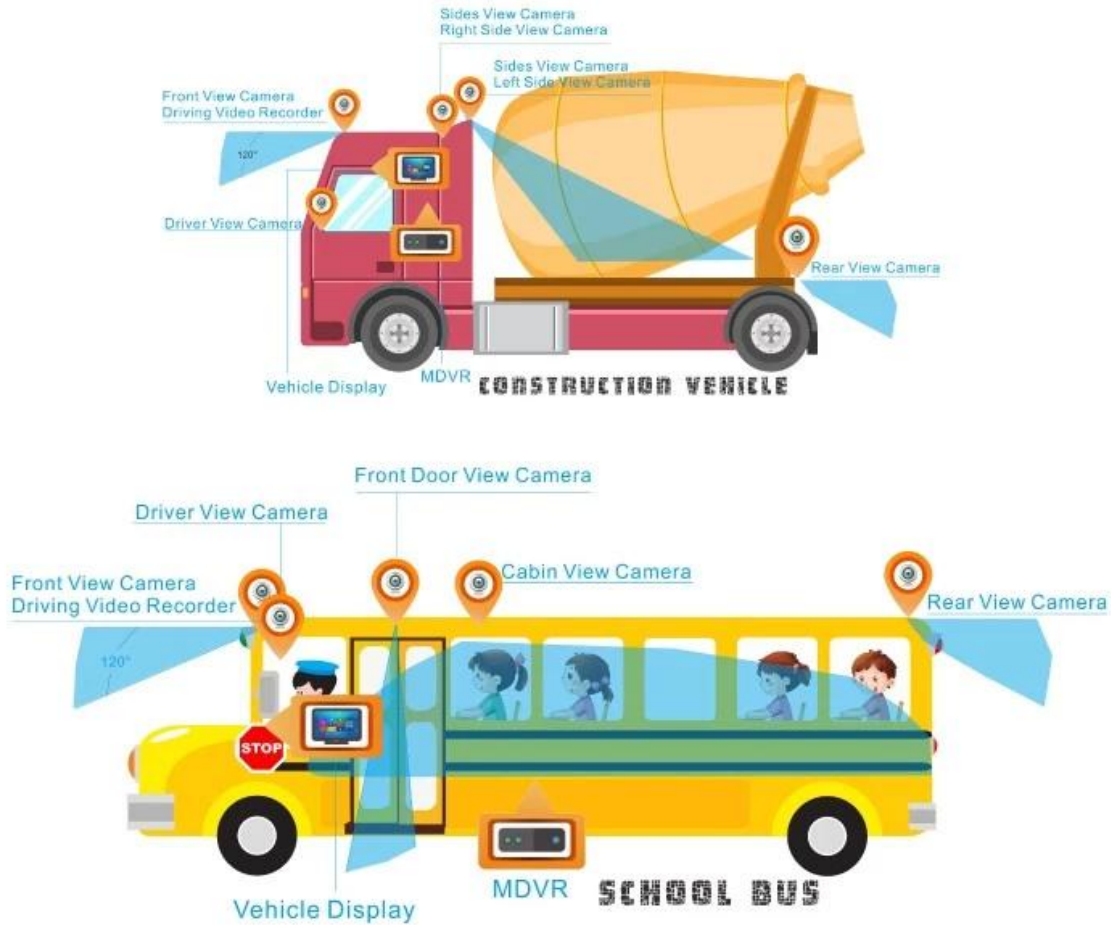
Details

Aviation AV&DV Input / Steady Port/ Strong Shockproof Ability/ Simple & Convenient



DETAILED SPECS

INSTALLATION



FUNCTION DISPLAY

Mobile Monitoring Management Platform



RMVS is a system of centralized management and monitoring of all kinds of vehicles based on wireless network. Perform real-time monitoring, GPS/BD positioning, video storage, vehicle scheduling, alarm and alarm, etc.

10S Data Protection

When vehicle encounter collision, MDVR supports 10S delay recording for data protection



The hard disk is shockproof

Industrial rubber bracket to prevent the collision of hard disk in the process of driving, to protect the data security of hard disk.



Exclusive damping technology to build military grade quality.

